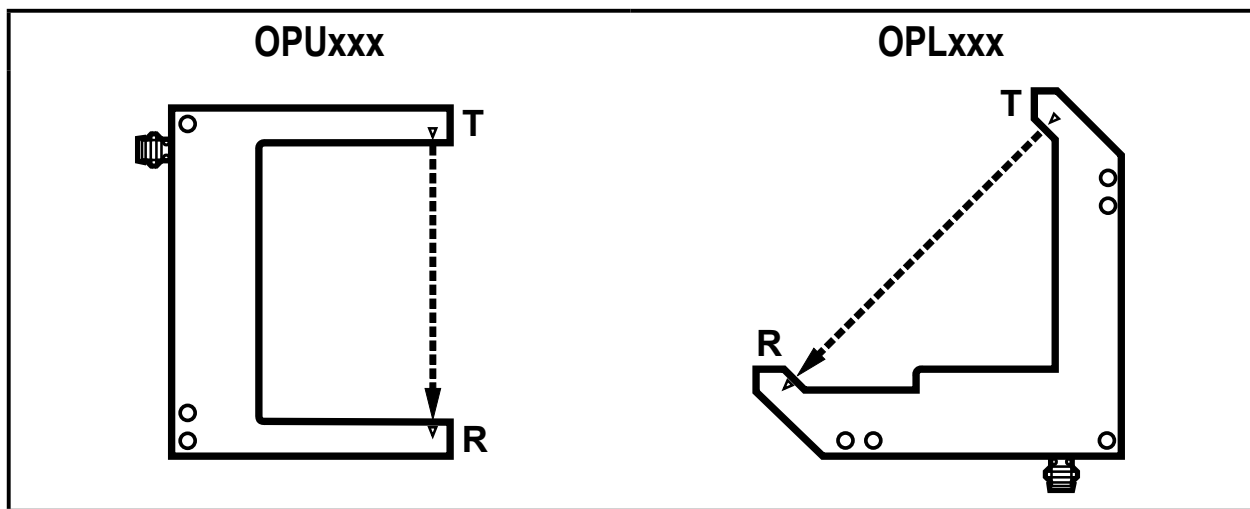


## Optical fork sensors / Optical angle sensors

### 1 Functions and features

The optical fork sensors / optical angle sensors detect objects and materials without contact and indicate their presence by a switching signal.

### 2 Mounting



T: transmitter; R: receiver

### 3 Electrical connection

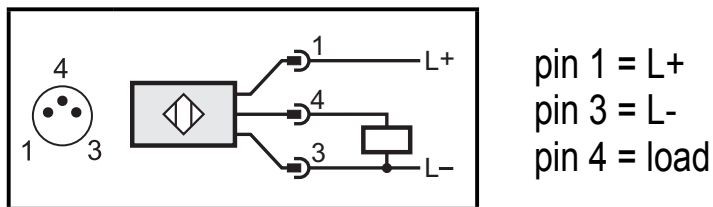


The following information is valid, if an UL Listingmark is applied on the product:

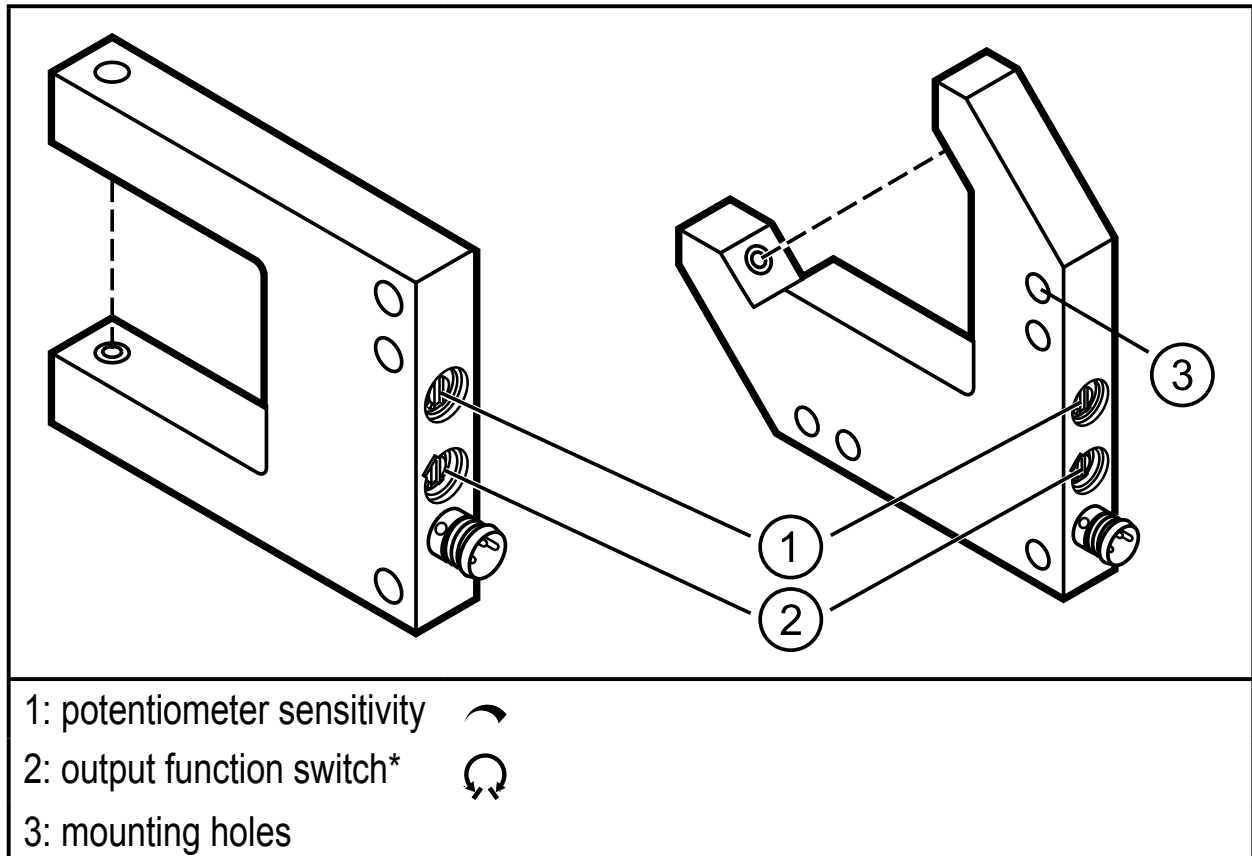
- ▶ For use in NFPA 79 applications only. Adapters providing field wiring means are available from the manufacturer. Refer to manufacturers information.
- ▶ The device shall be supplied from a class 2 rated power supply.



## DC PNP



## 4 Operating and display elements



## 5 Technical data

Electrical design	DC PNP
Output	* light-on/dark-on mode selectable
Operating voltage [V]	10...35 V DC
Current rating [mA]	200
Current consumption [mA]	< 30
Operating temperature [°C]	-25...60
Protection	IP 67, III